



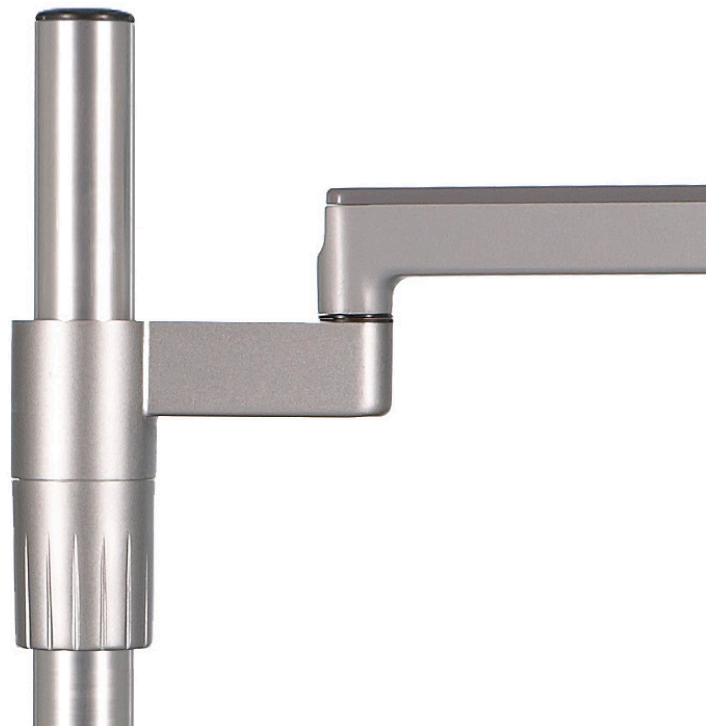
M|Flex™

Supporting Tomorrow's Technology ... Today



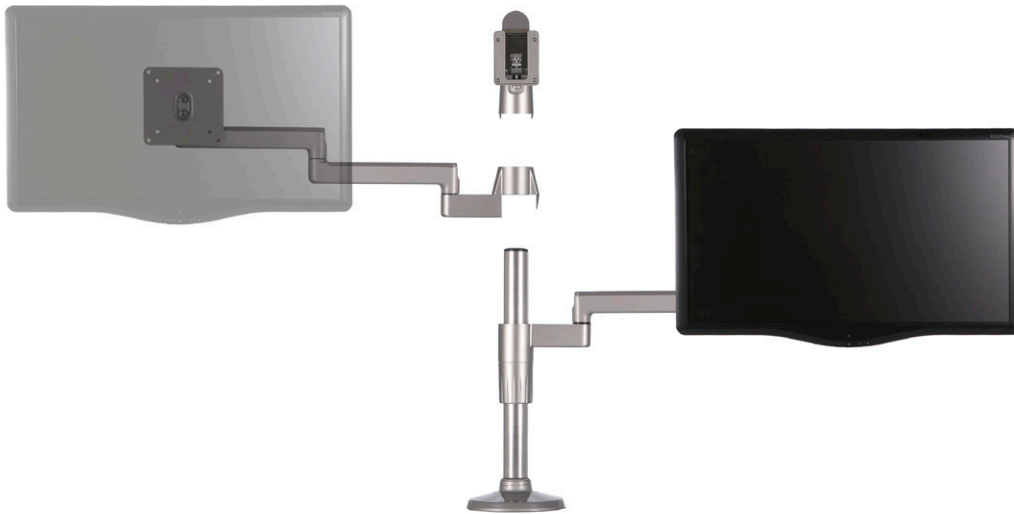
“We had to create a solution that’s essentially future-proof—
one that’s ready to support today’s technology and the
technology of the future.”

Rajiv Katawala Design Engineer



A New, Simpler Way

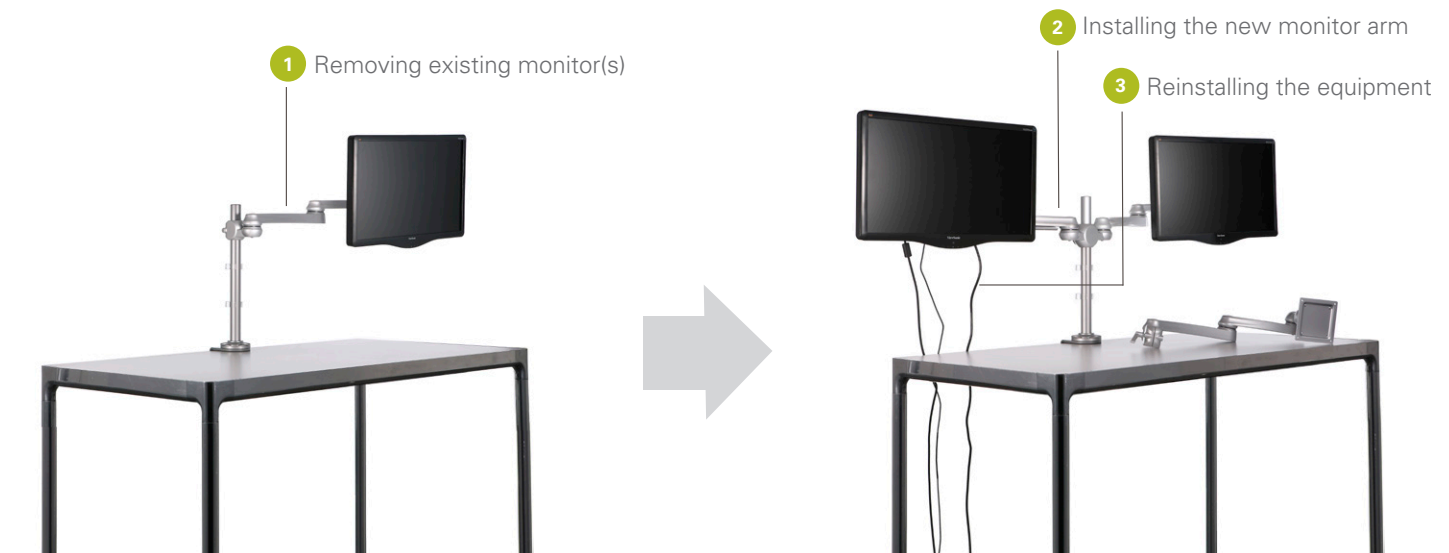
The incredibly versatile M/Flex is one of the most scalable monitor arm systems on the market. With the unique ability to support up to six monitors weighing up to 20 pounds each from a single pole, M/Flex accommodates today's—and tomorrow's—technology with ease.



Farewell to Outdated Approaches

M/Flex dares to challenge all ways old, cumbersome and difficult, instead providing a simple and easy approach. And, unlike many monitor arm systems, M/Flex enables users to purchase one system to accommodate their needs, as opposed to buying multiple arm systems.

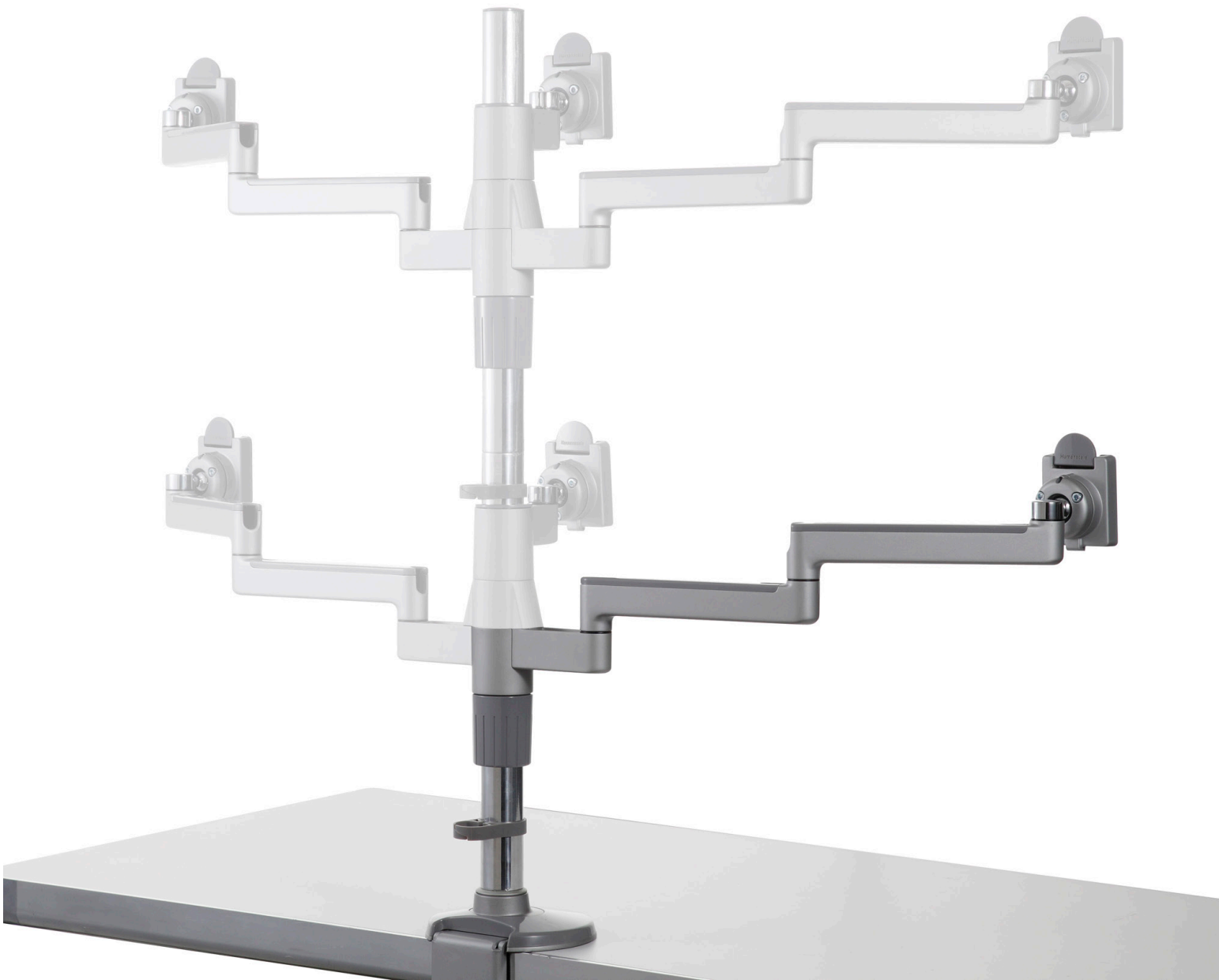
Adding a monitor to most currently available solutions often requires a series of steps, such as:



M/Flex obliterates the necessity for these unwieldy adjustments, allowing new monitor additions by simply adding a bracket.

The M/Flex Solution

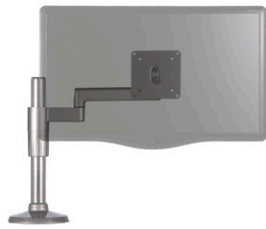
Installation takes time and money. Featuring nesting integrated brackets, M/Flex allows monitors to be added without disturbing the existing configuration—completely streamlining the entire installation process and thereby reducing the effort and costs involved.



Everyday Applications

Thanks to its versatile monitor support and clean design, M/Flex operates brilliantly and complements any contemporary work environment.

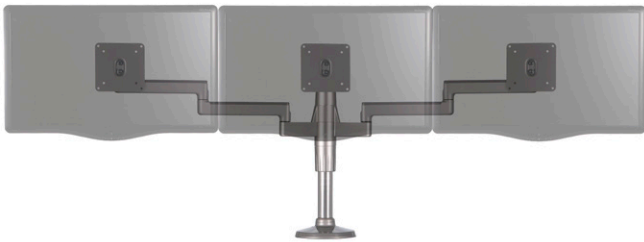
Whether used for a security office, a commercial space or a healthcare environment, M/Flex meets and exceeds the needs of these settings.



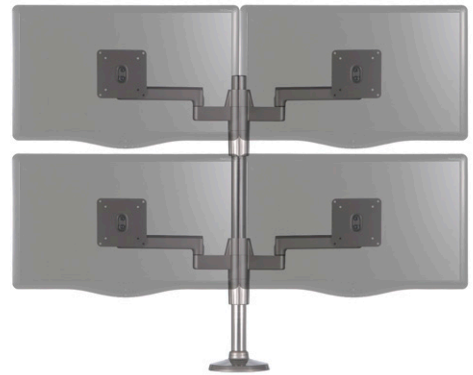
Single Fixed



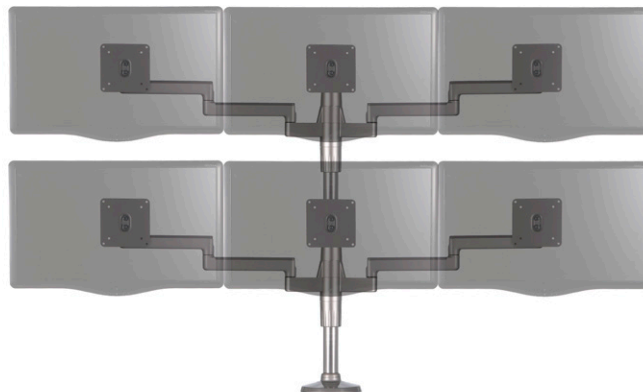
Dual Dynamic



Triple Fixed



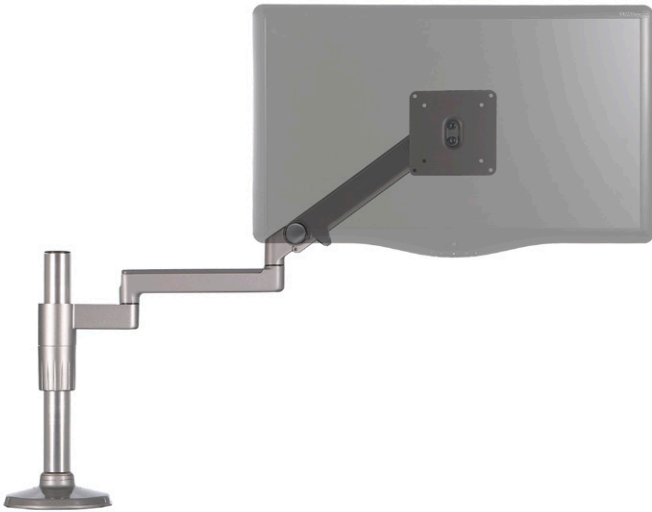
Two over Two



Three over Three

Award-Winning Monitor Arms

M/Flex's strong and supportive structure starts with two award-winning, sustainable monitor arms—the M2™ and M8™, which both feature industry-leading cable management to hide unsightly wires. Optional 12" links for the M2 and M8 enable greater adjustability and flexibility for the user, and allow users to position three 24" monitors on each row. In addition, a Notebook Holder that accommodates laptops from 9" – 14" in length can be attached to these monitor arms.



M2™ Monitor Arm

Features

- Sleek, slim design to complement any interior
- Fewer parts for a more sustainable monitor arm
- Uses an innovative mechanical spring to achieve exceptional performance



M8™ Monitor Arm

Features

- Vast range of monitor support, including all-in-ones and touch screens
- Accommodates up to 40 pounds of weight
- High-capacity construction supports dual-monitor applications with optional crossbar

M/Flex and the Environment

The Humanscale Design Studio developed M/Flex with sustainability in mind, using fewer and lighter parts for less overall environmental impact and less money and energy wasted in the shipping and manufacturing of the product. Importantly, M/Flex prevents the waste of technology components by allowing users to add parts over time, making it among the most sustainable monitor arms on the market.

